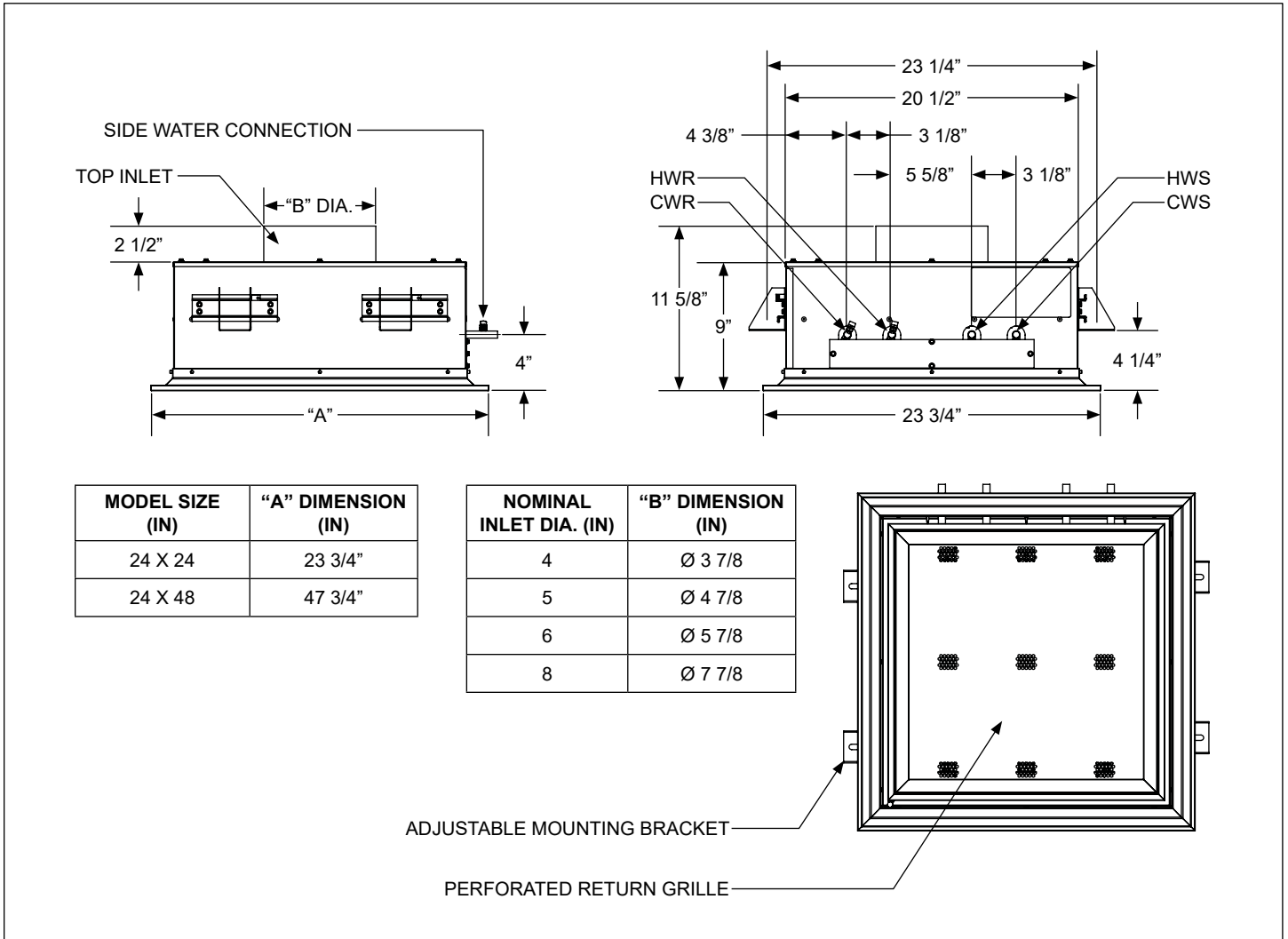
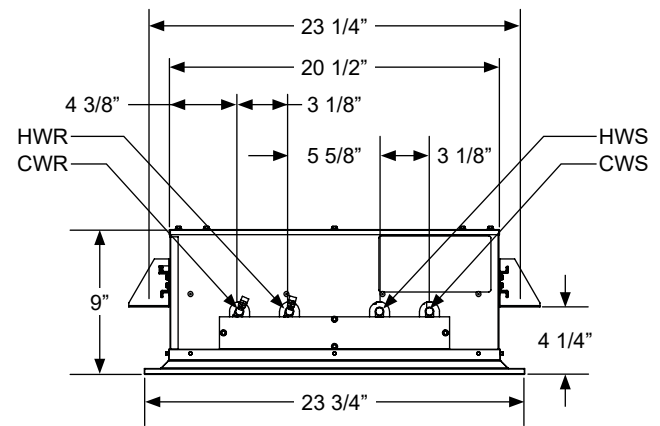
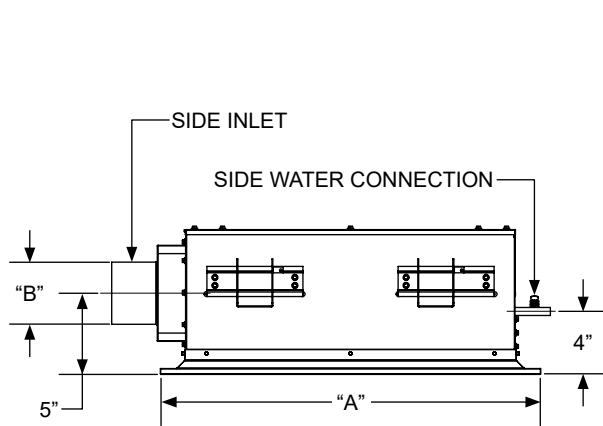


## CBAM • Active Modular Chilled Beam • 4-Way Discharge • Horizontal Coil

### Top Inlet Configurations

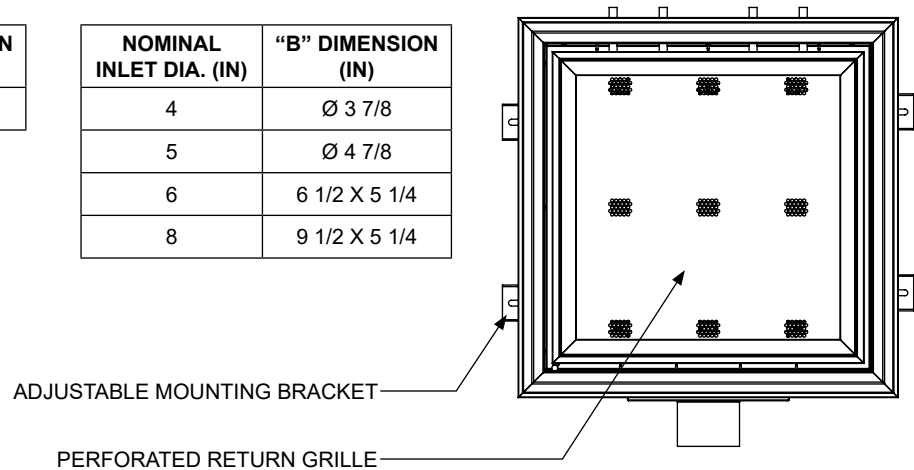


## 24" x 24" Side Inlet Configurations

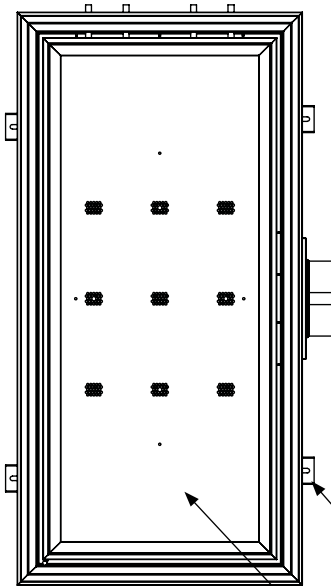
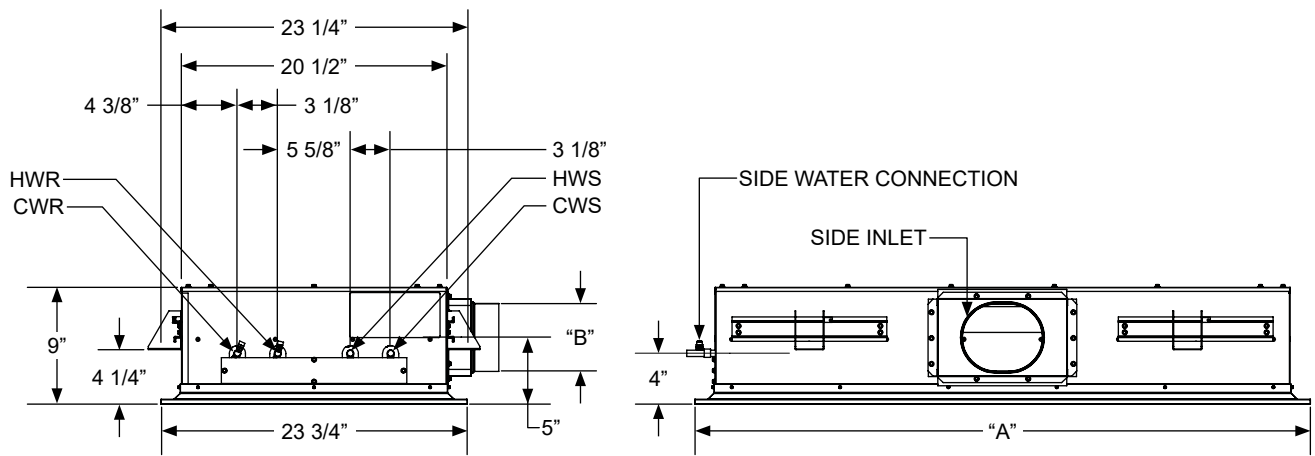


| MODEL SIZE (IN) | "A" DIMENSION (IN) |
|-----------------|--------------------|
| 24 X 24         | 23 3/4"            |

| NOMINAL INLET DIA. (IN) | "B" DIMENSION (IN) |
|-------------------------|--------------------|
| 4                       | Ø 3 7/8            |
| 5                       | Ø 4 7/8            |
| 6                       | 6 1/2 X 5 1/4      |
| 8                       | 9 1/2 X 5 1/4      |



# 48" x 24" Side Inlet Configurations



| NOMINAL INLET DIA. (IN) | "B" DIMENSION (IN) |
|-------------------------|--------------------|
| 4                       | Ø 3 7/8            |
| 5                       | Ø 4 7/8            |
| 6                       | 6 1/2 X 5 1/4      |
| 8                       | 9 1/2 X 5 1/4      |

| MODEL SIZE (IN) | "A" DIMENSION (IN) |
|-----------------|--------------------|
| 24 X 48         | 47 3/4"            |

ADJUSTABLE MOUNTING BRACKET

PERFORATED RETURN GRILLE

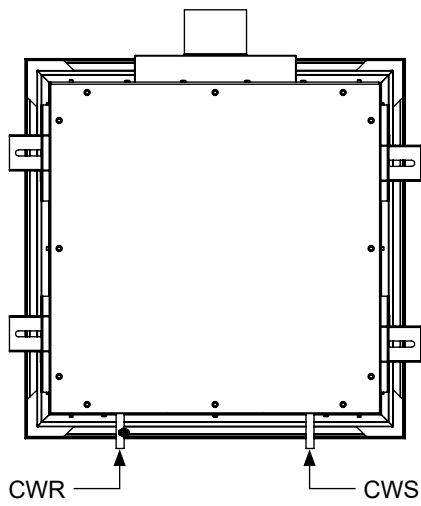
## General Description

- 24 inch wide, linear active chilled beam diffuser, available with 4-way air distribution.
- Designed to fit into standard 24 inch ceiling grids, available with different borders.
- 2 feet and 4 feet lengths.
- 2 pipe or 4 pipe coil configurations.
- Casing manufactured with extruded aluminum and galvanealed G90 , 20 gauge sheet metal. Mechanically sealed, leak resistant construction.
- Coil standard with air vent, coil drain and 1/2" water connection, optional sweat or threaded connection.
- Rails with adjustable mounting brackets are provided in 4 locations for mounting.
- Return face panel assembly is secured with "hidden" ¼ - turn allowing for removal and providing easy access to internal components.
- Return face panel assembly available with round perforation.
- Exterior face, border elements and visible internal components are painted in color of choice. Paint is powder coat, a mix of polyester and epoxy.

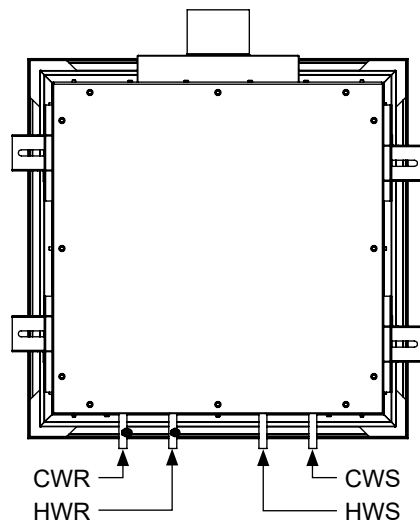
## Basic Unit Configuration

|  |  |  |  |
|--|--|--|--|
| <b>Module Size &amp; Inlet Location</b>  | <b>Nozzle Configuration</b>  | <b>Primary Air Inlet Diameter Connection (inch)</b>  | <b>Coil Type - Water Side Connection</b>                                     |
| <input type="checkbox"/> 24" x 24" Top Inlet<br><input type="checkbox"/> 24" x 24" Side Inlet<br><input type="checkbox"/> 48" x 24" Top Inlet<br><input type="checkbox"/> 48" x 24" Right Hand Side Inlet<br><input type="checkbox"/> 48" x 24" Left Hand Side Inlet | <input type="checkbox"/> M13 <input type="checkbox"/> M17<br><input type="checkbox"/> M23 <input type="checkbox"/> M31 | <input type="checkbox"/> 4 <sup>1</sup> <input type="checkbox"/> 5 <input type="checkbox"/> 6 <sup>2</sup> <input type="checkbox"/> 8 <sup>3</sup> | <input type="checkbox"/> 2 Pipe <input type="checkbox"/> 4 Pipe              |
| Note:<br>1) 4 inch inlet only available on side inlet configurations<br>2) 6 inch inlet is equivalent oval on side inlet configurations<br>3) 8 inch inlet only available on top inlet configurations  |  |  |  |
| <b>Coil Connection -Type</b>   | <b>Face Pattern</b>  | <b>Border Type</b>   | <b>Exposed Face Finish Color</b>   |
| <input type="checkbox"/> ½ in Sweat (SWT)<br><input type="checkbox"/> ½ in MNPT (MPT)<br><input type="checkbox"/> ¾ in MNPT (3PT)  | <input type="checkbox"/> Circular Perforation  | <input type="checkbox"/> Lay In (LTF)<br><input type="checkbox"/> Tegular 9/16" (NTG)  | <input type="checkbox"/> White (WHT)<br><input type="checkbox"/> Black (BLK) |
| Note:<br>1) MNPT required for CBHK hoses<br>2) CBHK hoses ordered separately   |  |  |  |
| <b>Accessories</b>   |  |  |  |
| <input type="checkbox"/> Lint Screen <input type="checkbox"/> Insulation   |  |  |  |

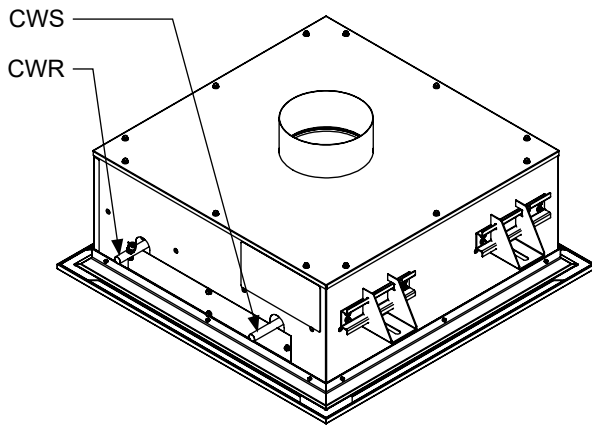
# Top Inlet Configuration Coil Connection Details



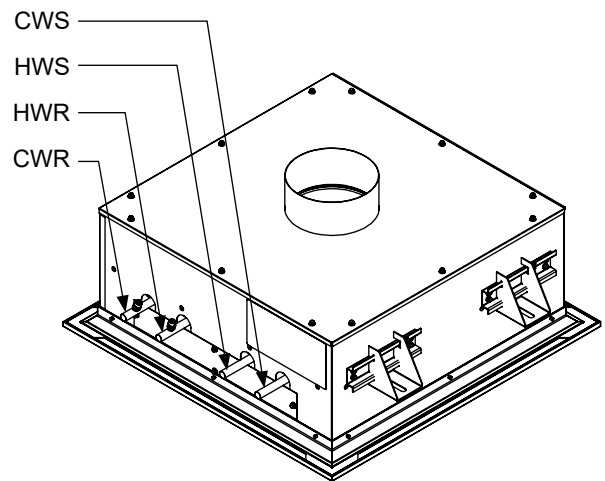
24A 2 - PIPE SIDE INLET



24A 4 - PIPE SIDE INLET



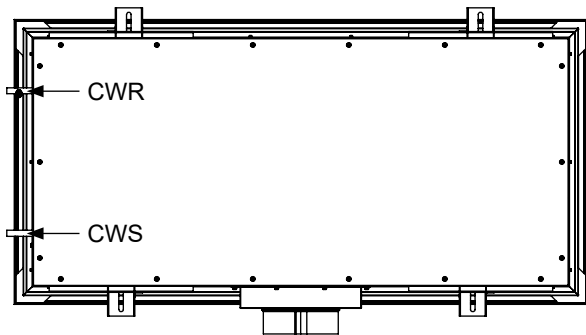
24T 2 - PIPE TOP INLET



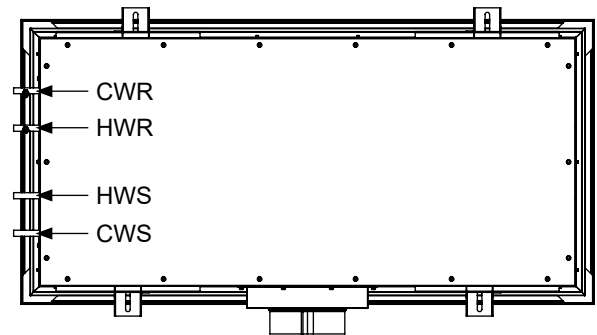
24T 4 - PIPE TOP INLET

**R** - RETURN                      **W** - WATER                      **S** - SUPPLY  
**HWR** - HEATING WATER RETURN    **HWS** - HEATING WATER SUPPLY  
**CWR** - COOLING WATER RETURN    **CWS** - COOLING WATER SUPPLY

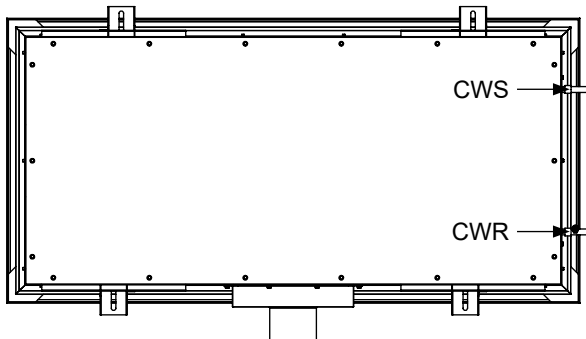
# Side Inlet Configuration Coil Connection & Handing



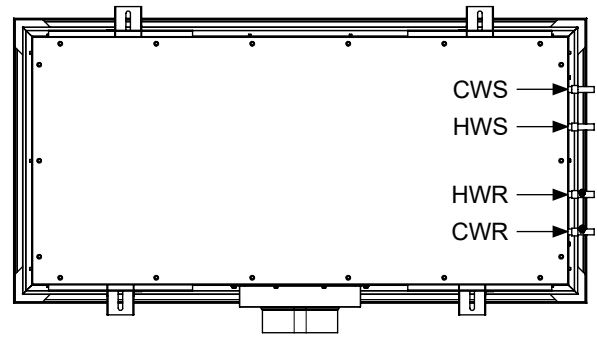
48L 2-PIPE SIDE INLET,  
LEFT HAND



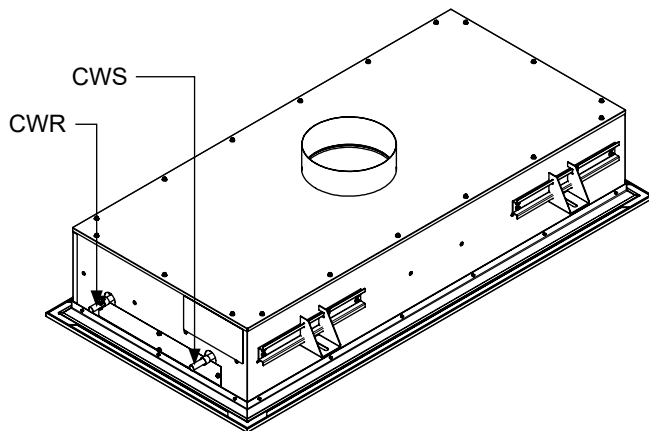
48L 4-PIPE SIDE INLET,  
LEFT HAND



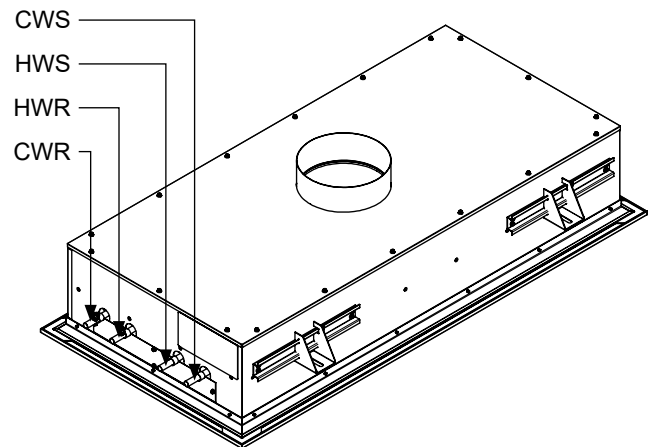
48R 2-PIPE SIDE INLET,  
RIGHT HAND



48R 4-PIPE SIDE INLET,  
RIGHT HAND



48T 2-PIPE TOP INLET



48T 4-PIPE TOP INLET

|                                   |                                   |                   |
|-----------------------------------|-----------------------------------|-------------------|
| <b>R</b> - RETURN                 | <b>W</b> - WATER                  | <b>S</b> - SUPPLY |
| <b>HWR</b> - HEATING WATER RETURN | <b>HWS</b> - HEATING WATER SUPPLY |                   |
| <b>CWR</b> - COOLING WATER RETURN | <b>CWS</b> - COOLING WATER SUPPLY |                   |